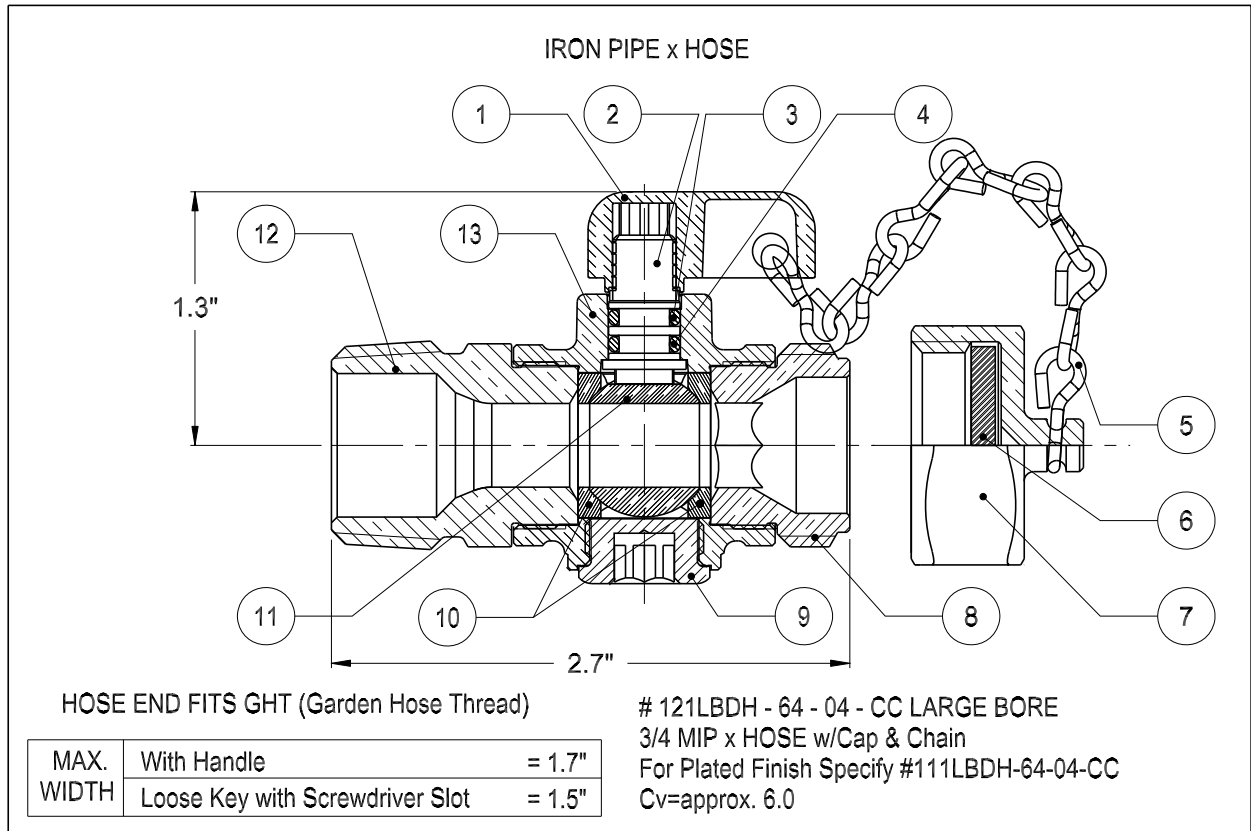


# Dahl mini-ball™ Valve

Plumbing, Heating, Cooling - NOT FOR POTABLE



Text Below Represents Rough Brass Finish

- |  |                           |
|--|---------------------------|
| 1. Handle - w/ Drilled Ø3/16 Hole - Nickel Plated Zinc | 8. End - Hose - Brass     |
| 2. Spindle - Nickel Plated Brass                       | 9. Plug - Brass           |
| 3. O-Ring - EPDM                                       | 10. Seals - PTFE          |
| 4. O-Ring - Fluorocarbon (FKM)                         | 11. Ball - Plated Brass   |
| 5. Chain - 6" - Brass                                  | 12. End - 3/4 MIP - Brass |
| 6. Gasket - EPDM                                       | 13. Body - Brass          |
| 7. Drip Cap - Brass                                    |                           |

Working Pressure: 250 psi / 250°F  
depending on pipe material.



Designed and Manufactured in  
Canada

Also available: Loose Key with Screwdriver Slot operation



## dahl brothers canada limited

2600 S. SHERIDAN WAY, MISSISSAUGA, ON, CANADA L5J 2M4  
905-822-2330 CAN 800-268-5355 U.S. 800-268-2363  
FAX(905) 855-1450, USA AND CANADA 800-226-1801  
[sales@dahlvalve.com](mailto:sales@dahlvalve.com) [www.dahlvalve.com](http://www.dahlvalve.com)

We reserve the right to alter prices and/or technical details without notice